

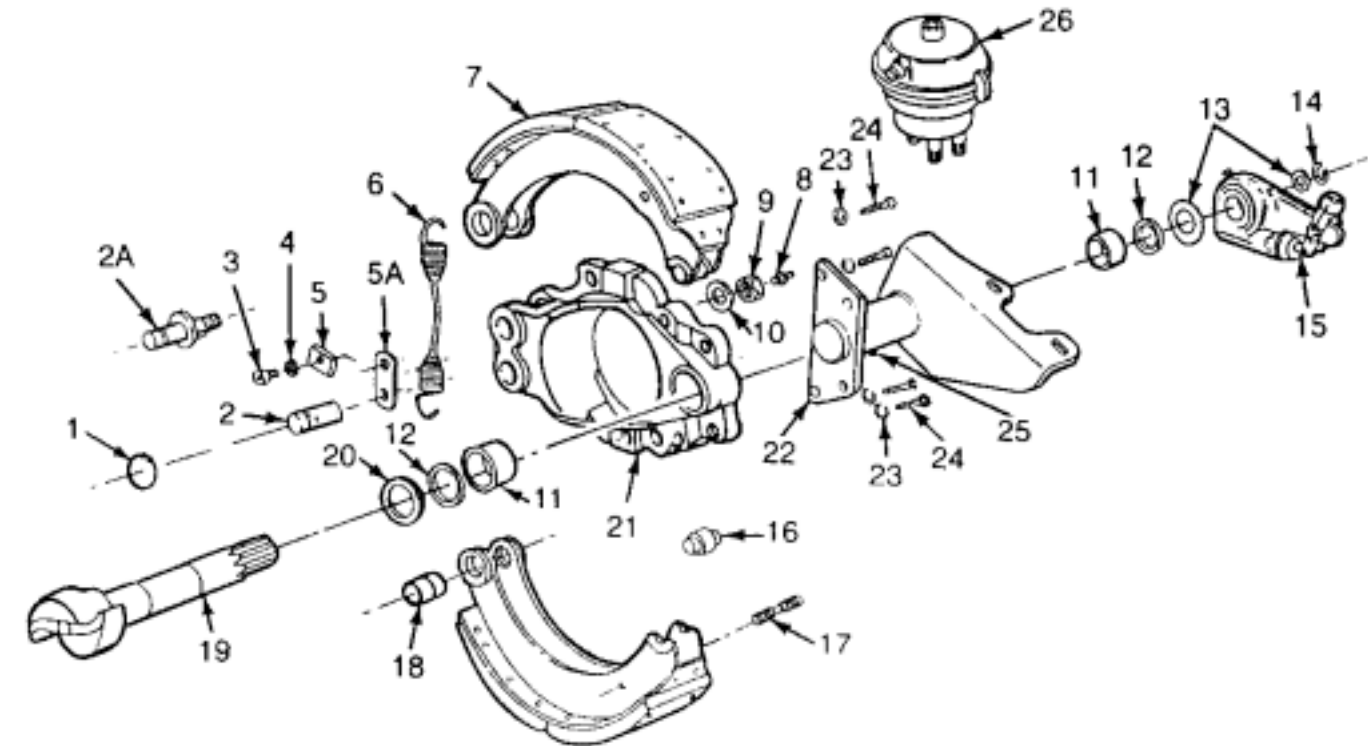
# “W” SERIES CAM BRAKES

# “W” SERIES CAM BRAKES

### TYPE 1 “W” SERIES CAM BRAKES

ITEM	BRAKE SIZE	PART #	SS PART #
1	14.5" x 5"	1229-X-1116	
2	Both	1259-X-76	SST2041C
2A	14.5" x 5"	1259-W-205	SST2903
3	Both	S258-2	
4	Both	WA-15Z	
5	Both	1229-D-108	
5A	14.5" x 5"	1245-N-144	
6	Both	2258-K-401	SST401
7	14.5" x 5"	A31-3722-D-368	XSSTRC_368
	14.5" x 6"	A4-3222-M-1157	XSSTRC_1157
8	Both		
9	14.5" x 5"	N-114-1	
10	14.5" x 5"		
11	Both	1225-R-512	
12	Both	A-1205-V-1556	
13	Both	1229-X-2936	
	Both	1229-S-2697	
14	Both	1229-Q-2851	
15			
16	Both	1779-J-114	SST2065
17	Both	1746-U-47	
18	Both	1725-V-22	
19	14.5" x 5"	2210-W-5535	
		2210-X-5536	
		2210-K-6303	

### TYPE 1 (14.5" x 5" & 14.5" x 6")



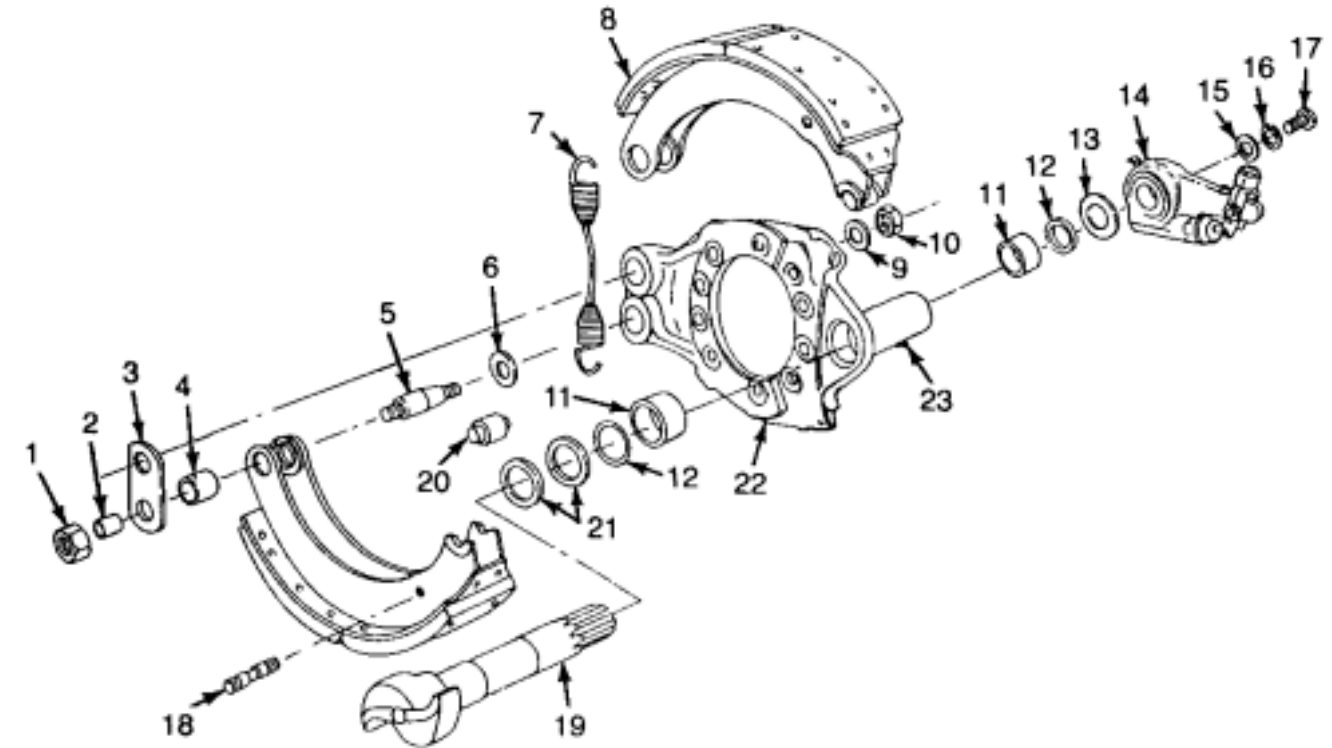
# “W” SERIES CAM BRAKES

# “W” SERIES CAM BRAKES

### TYPE 1 “W” SERIES CAM BRAKES

ITEM	MERITOR #	SS PART #	D
1	N-112-1		Sho
2	1246-L-350		Ta
3	1245-E-161		Ar
4	1725-V-22		
5	1259-P-198	SST2095	Ar
6	1229-C-1563		Sp
	1229-D-1564		
	1229-E-1565		
	1229-F-1566		
	1229-G-1567		
7	2258-J-400	SST400	R
8	A-24-3722-P-406	XSSTRC_406	Unlit
	A1-3722-L-688	XSSTRC_688	
9	1229-T-1554		I
10	N-114-1		Al
11	1225-R-512		Car
12	A-1205-F-136		C
13	1229-Y-2313		Sp
14	****		S
15	1229-T-1164		I
16	W/A 10		I

### TYPE 1 (14.5” x 8” & 14.5” x 10”)



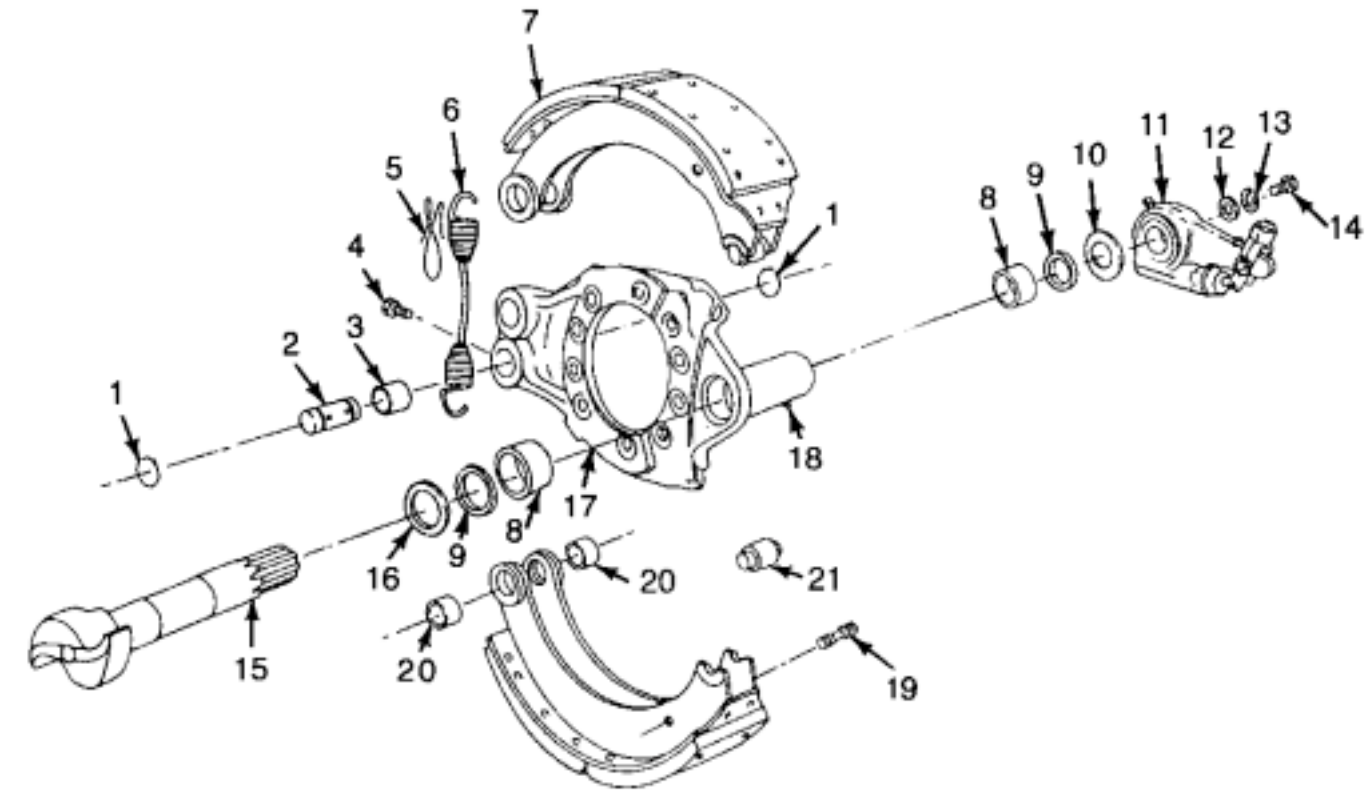
# "W" SERIES CAM BRAKES

# "W" SERIES CAM BRAKES

### TYPE 2 "W" SERIES CAM BRAKE

ITEM	MERITOR #	SS PART #	D
1	1218-Z-52	SST2090K	
2	1259-L-194	SST2090K	
3	1225-X-440		
4	26-X-143	SST2090K	
5	LW-166		
6	2258-J-400	SST400	F
7	A1-3722-J-686	XSSTRC_686	Unli
8	1225-R-512		Cal
9	A-1205-V-1556		C
10	1229-S-435		S
11	****		S
12	1229-T-1164		
13	WA-18		L
14	S-289-2		
15	****		
16	1229S747		W
17	A3211G3179		E
18	1199-Q-901		C
19	1246-R-382		Re
20	1725-H-8		Brak
21	1779-L-116	SST2084	Rrc
	1779-P-328		
	1779-Q-320		

### TYPE 2 (14.5" x 10")



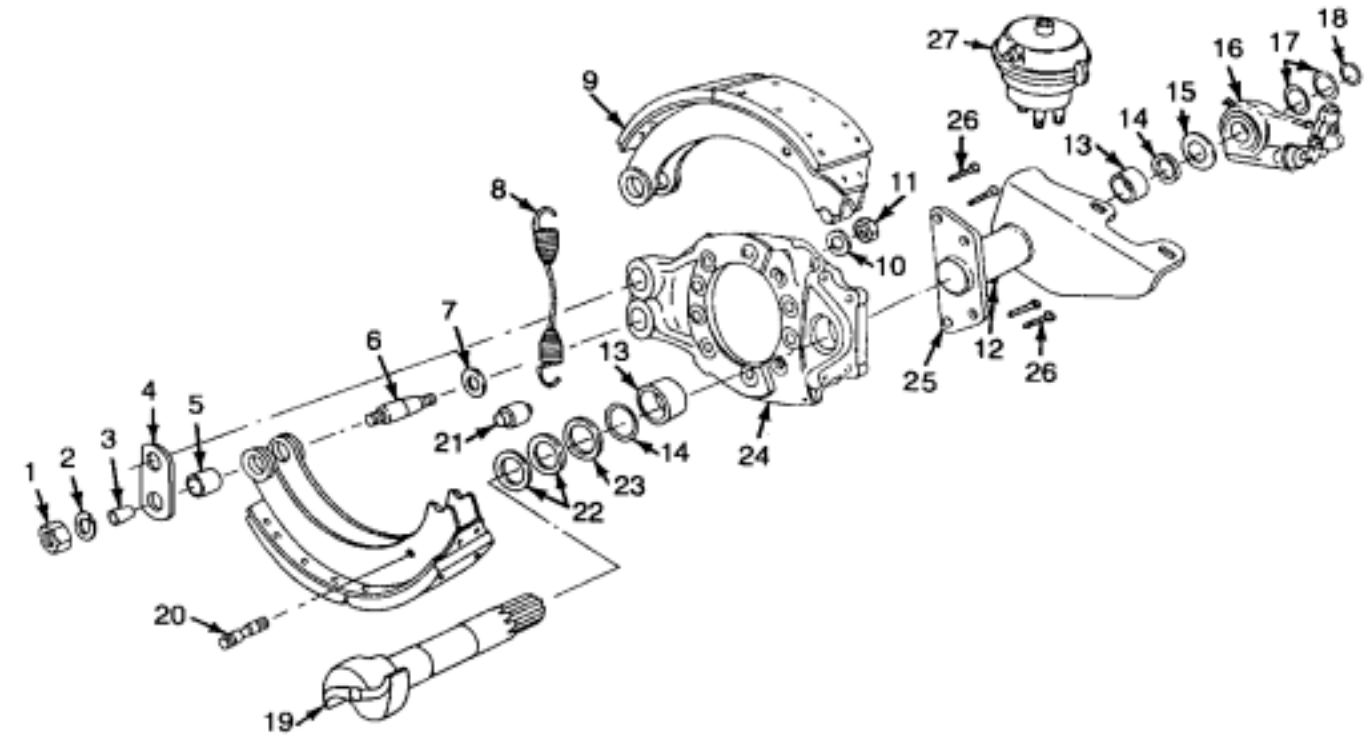
# "W" SERIES CAM BRAKES

# "W" SERIES CAM BRAKES

### TYPE 3 "W" SERIES CAM B

ITEM	MERITOR #	SS PART #	DESC
1	N-112-1		Shoe R
2	1229-U-593		Lochl
3	1246-L-350		I
4	1245-E-161		Anchr
5	1725-V-22		Brake S
6	1259-P-198	SST2095	Anchr
7	1229-G-1567		Flat
8	2258-J-400	SST400	Retu
9	A1-3722-L-688	XSSTR_688	Unlined
10	1229-T-1554		Flat
11	N-114-1		Anchr
12			Gre
13	1225-R-512		Camsh
14	A-1205-V-1556		Cam
15	1229-X-2936 122-S-2697		Spac
16			Slac
17	1229-S-2697		Flat
18	1229-Q-2851		Camsh
19	2210-H-6534 2210-J-6536 2210-K-6537 2210-L-6538		Ca 1.5" -
20	1246-R-382		Returr
21	1779-U-593	SST593	Brake

### TYPE 3 (14.5" x 10")



# M.A.N. AXLE BRAKES

# M.A.N. AXLE BRAKES

**M.A.N. BRA**

ITEM	PART #	DESCRIP
Not Shown	XMAN-2396L	16.14" x 6.3
	XMAN_2396LX	Super Stop Excha
	XMAN2396LXX	Shoes with C
Not Shown	XMAN-2399L	16.14" x 8.6
	XMAN_2399LX	Super Stop Excha
	XMAN2399LXX	Shoes with C
Not Shown	312248	Inner Beari
	312249	Outer Beari
Not Shown	312247	Wheel Sea
Not Shown	312984	Inner Beari
	312989	Outer Beari
1	1957900407	Brake Linir
	1958100406	Brake Linir
2	312396	Unlined Sh
	312399	Unlined Sh
3	312967	Pir
4	ST800	Tension Spring,
5	312959SS	O-Ri
6	ST312084	Roller Assembly
7	ST312086	Anchor Pi
Not Shown	SST312122	Anchor Pi
8	ST312087	Washer, Fro
9	ST312088	Snap Ring, Fi
10	312957	Pir

